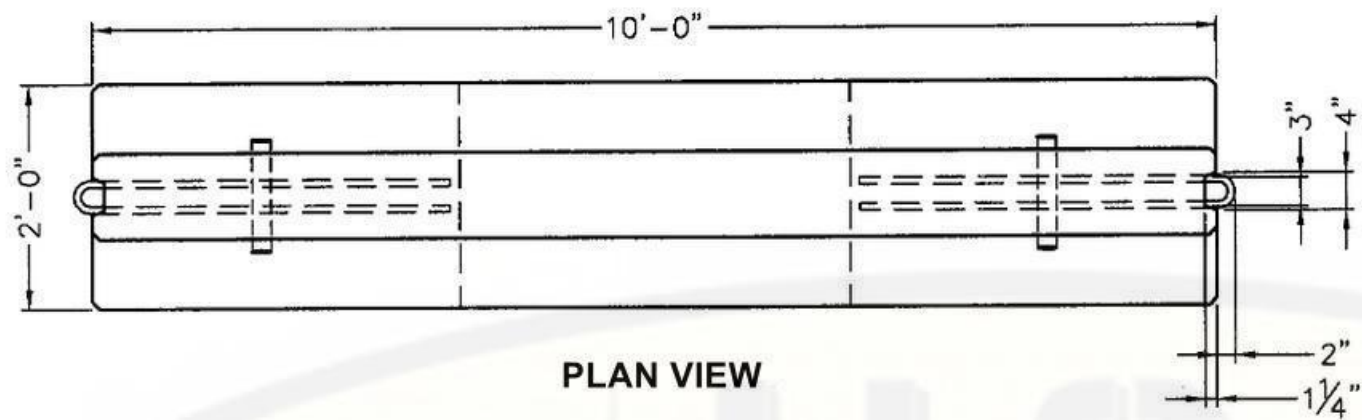
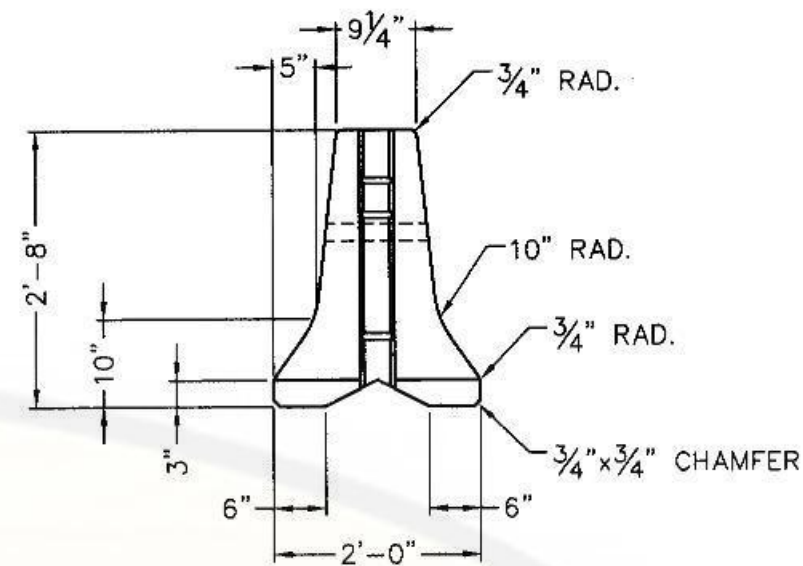


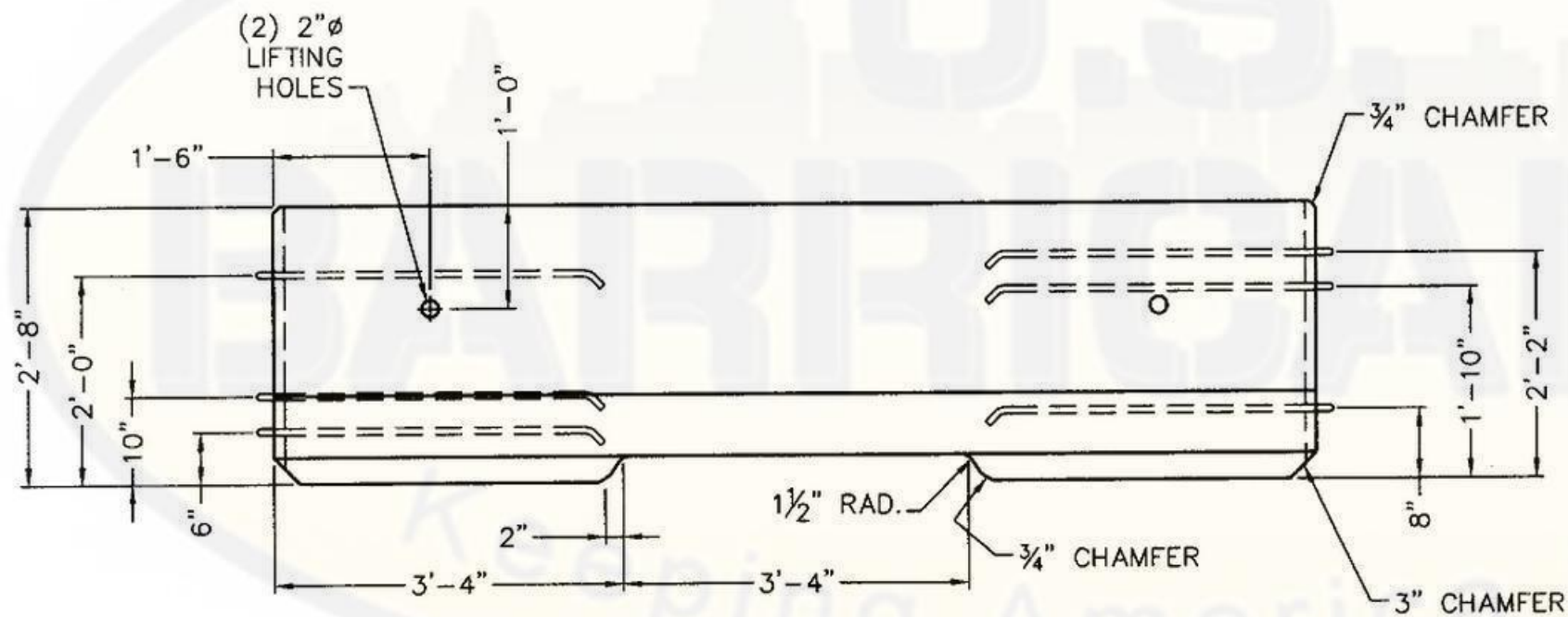
© U.S. BARRICADES - COPYRIGHT - ALL RIGHTS RESERVED



PLAN VIEW



SIDE VIEW



ELEVATION VIEW

NOTES:
 CONCRETE - 5,000 MIN. @ 28 DAYS
 CONFORMS TO MASSACHUSETTS
 HIGHWAY SPEC. M4.02.00
 REINFORCING - ASTM A-615, GRADE 60 REBAR
 ASTM A-318, WELDED WIRE
 HOT-DIP GALVANIZED AFTER FABRICATION
 CONFORMS TO MASSACHUSETTS HIGHWAY
 SPEC. M7.10.0 AND AASHTO M111

APPROX. WEIGHT:
 4,500 LBS.

CONCRETE MEDIAN BARRIER 10FT - MASS DOT		REVISION	
PRODUCT CODE	MB10M	DATE	
	U.S. BARRICADES 30 Old Kings Hwy S. Darien, CT 06820 Nationwide (800) 947-1464 Local (203) 883-8660 info@usbarricades.com	SCALE	 
		APPVD -	PAGE 1